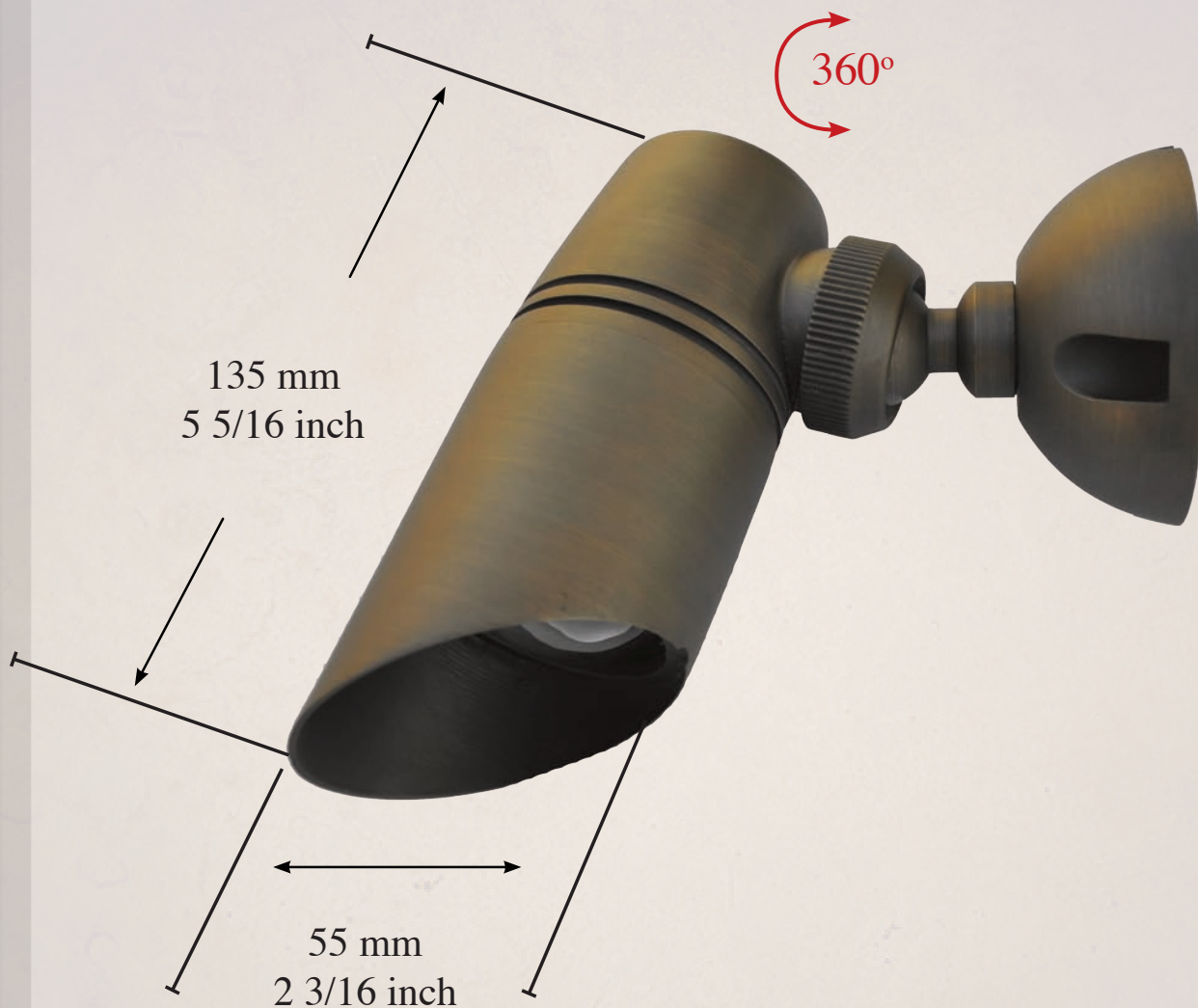


	Kgs	Lbs
In Box	1.4	2.8
No Box	1.2	2.6



DESCRIPTION:

Construction: Solid Brass
IP: 65
Voltage : 12V-24V
Lamp: 20W MR16 Halogen Bi-Pin (LED Optional)
Wire: 25 Feet Brown 16/2 AWG, UV Resistant
Side Mount: Brass Base A
Finish: Aged Bronze
Maximum Wattage: 50 Watts
Warranty: Lifetime

FIXTURE NAME:

PROVOST

MODEL:

DL - 01